

28 mm F/3.5 CERCO®

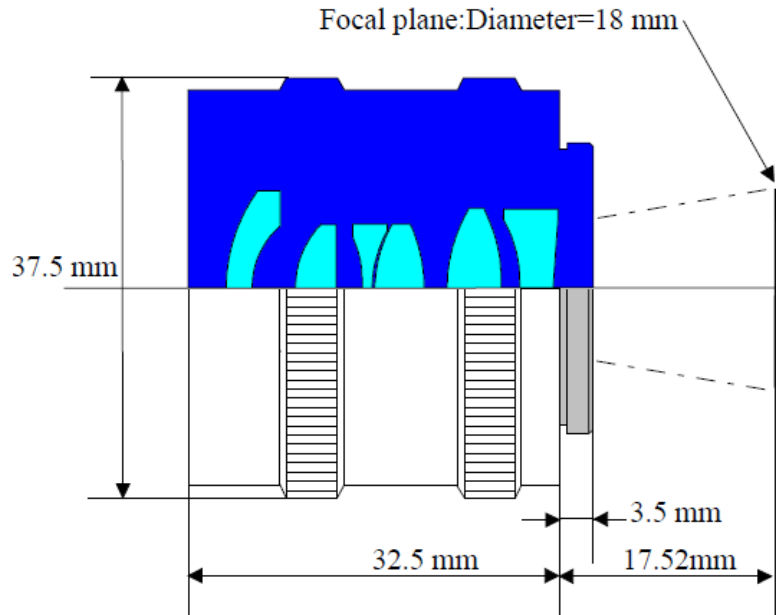


UV LENSES

- WIDE ANGLE
- COMBUSTION EXPERTISE, GENERAL PHYSICS AND FORENSIC SCIENCES
- C-MOUNT

UV 28 mm

TECHNICAL SPECIFICATIONS	
Main features	
Focal length	28,3 mm
F stop range	F/3.5 to F/16
Focusing distances	25 cm to infinity
Picture size (mm)	Ø 18 mm (full performances) usable up to Ø 25 mm
Field of view	35.4° diagonal (image Ø 18 mm)
Usable spectral range	240 nm (MC) or 190 nm (uncoated) to 900 nm
Optical transmission Multicoated standard type Uncoated type	[240 to 430 nm] T>90% ; [visible to IR] = 35% 60% from UV to IR ; 50% at 190 nm
MTF, UV range 240-410 nm	40% for 40 llines/mm, F/3.5, image Ø 18 mm (30 cm focusing distance)
Radial Distorsion	<0.4%
Vignetting	<20% inside Ø 18 mm ; 50% at Ø 23 mm
Optical design	6 lenses, made f synthetic fused silica and UV grade mono-crystal calcium fluoride
Mechanical Characteristics	
Overall length (mm)	36 (infinity) / 39.5 (close focus)
Overall Diameter (mm)	Ø 37.5
Camera mount	C mount (Ø 1", 32 tpi 52)
Front filter mount	M 32 x 0.5



The **28 F/3.5 UV lens type CERCO® 1990** has been designed for video cameras with image intensifier working with UV light. This UV lens is usable from ultraviolet to near infrared without focusing adjustment. Two types are proposed: standard multicoated type, optimised from 240nm to 410 nm wavelength range, and uncoated type, usable from 190 nm to 900 nm.

CONTACT

CERCO

Email : contact@cercolens.com

Phone : + 33 7 69 89 43 94

CERCO

Roucas Trouca Payan RD 5
F-13310 Saint Martin de Crau
www.cercolens.com